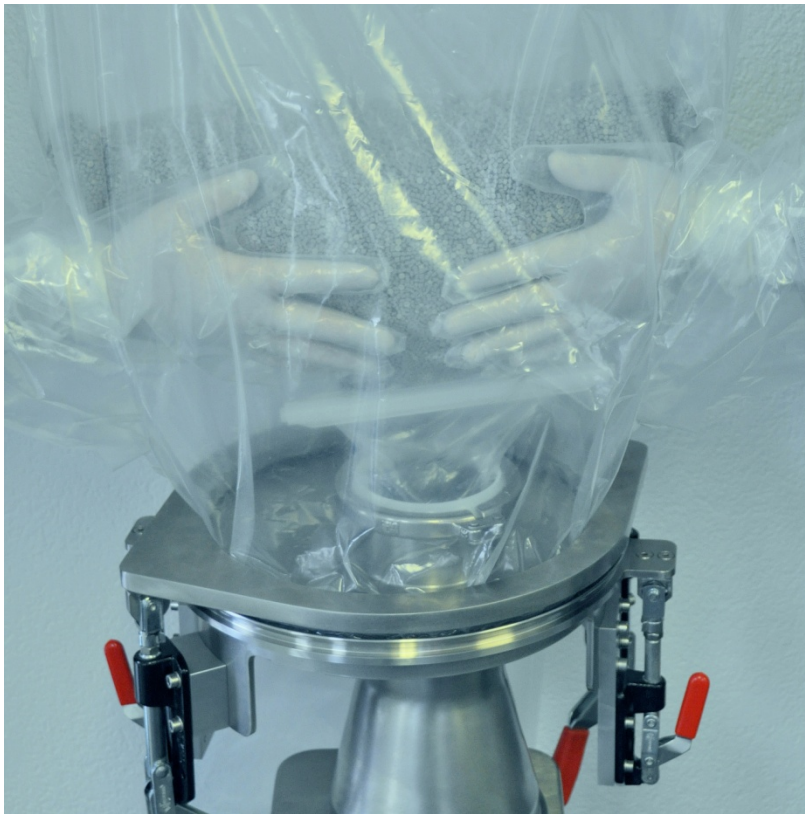




## TransferBag

### The Transfer solution for small quantities!

TransferBag – the smart Charge Bag! This new concept allows a closed product transfer of small quantities and this **exclusively** by using **single-use materials!**



The product transfer runs over a bag system **which has an inlet and outlet**. While filling and emptying the bag, a connection **free of contamination** is guaranteed. And this **without any split valves!**

The connection to the equipment runs over a robust double O-ring technique.

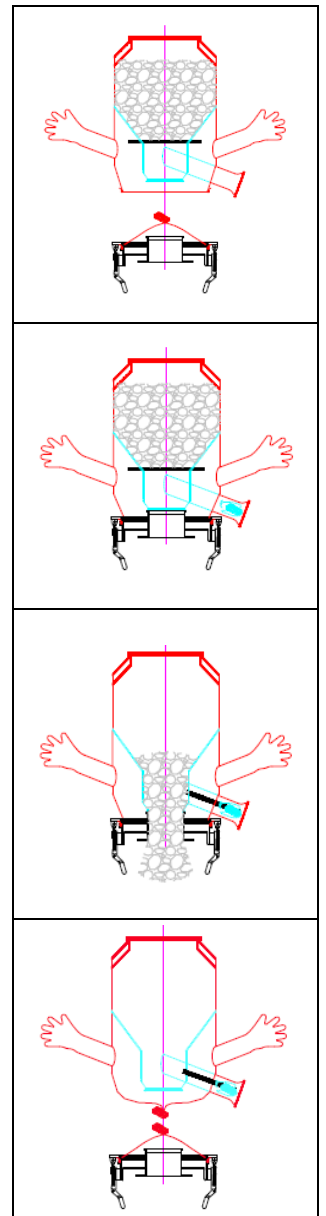
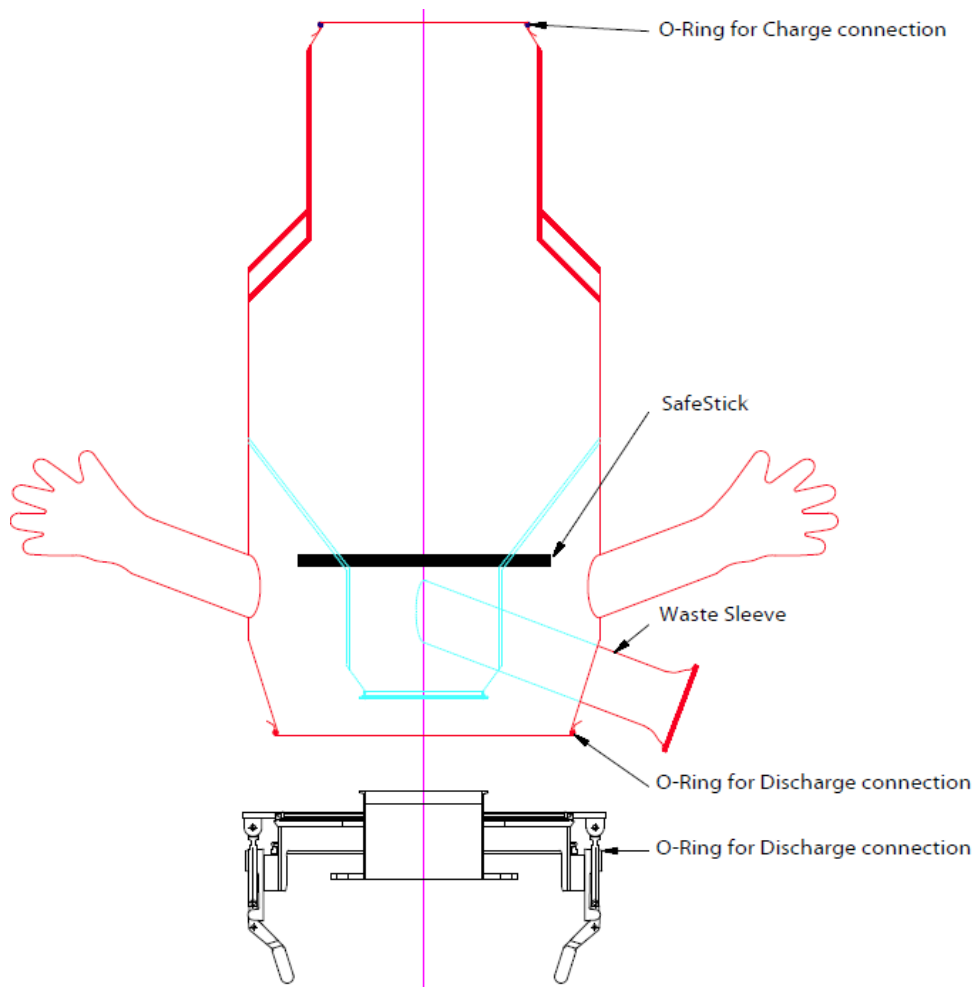
This guarantees a **simple handling** and a **safe connection**.

A variety of versions with customized flange connections are available.

Lugaia AG  
Containment Solutions  
Industriezone Basper 31  
CH-3942 Raron  
Tel. +41 (0) 27 948 45 55  
Fax. +41 (0) 27 948 45 50  
E-Mail: [anfrage@lugaia.ch](mailto:anfrage@lugaia.ch)  
[www.lugaia.com](http://www.lugaia.com)



## The connection free of contamination

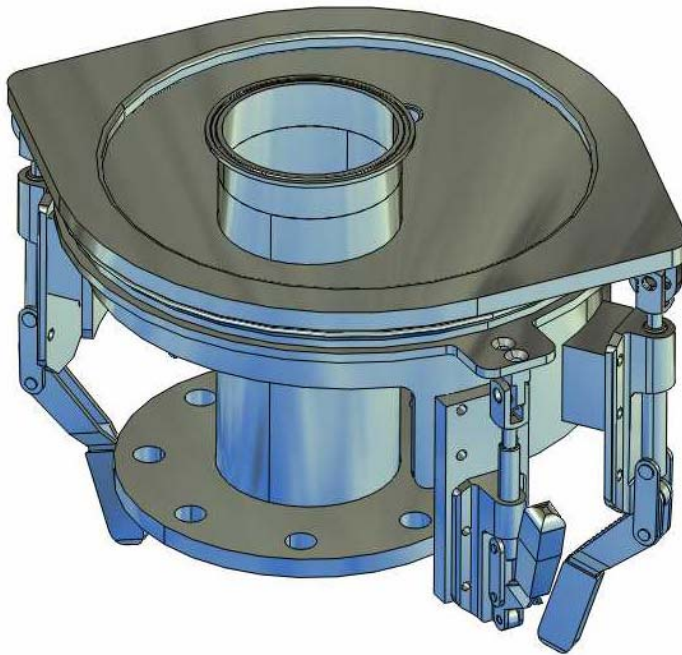


After the filling process, the inlet will be closed and separated via the manual Crimping-System **SafeSeal**. At the same time the outlet is closed tightly via **SafeStick** with locking device. In order to transfer the product back into the process, the TransferBag is being docked to the system via the outlet. Afterwards the **SafeStick** is being removed in order to empty the TransferBag. Via **SafeSeal**, the TransferBag can be removed from the system without opening the process.

Lugaia AG  
Containment Solutions  
Industriezone Basper 31  
CH-3942 Raron  
Tel. +41 (0) 27 948 45 55  
Fax. +41 (0) 27 948 45 50  
E-Mail: [anfrage@lugaia.ch](mailto:anfrage@lugaia.ch)  
[www.lugaia.com](http://www.lugaia.com)



## The connecting device LTB



The connection to the TransferBag allows **a change, free of contamination**, without the use of a cleaning-sleeve. The compact device without any lose clamps guarantees a safe handling. The head is available with a **flange connection** or a **TriClamp** connection.

The TransferBag solution in combination with the manual SafeSeal System guarantees a very high **containment level (OEL < 1µg/m<sup>3</sup>)**. The bag system is available in various LDPE films and executions, which can be used for standard- up to pharmaceutical applications.

The TransferBag System is **a unique solution** and it enables the customer to transfer small quantities significantly cleaner and more efficient.

